



Copyright FCI



FCIconnect.com

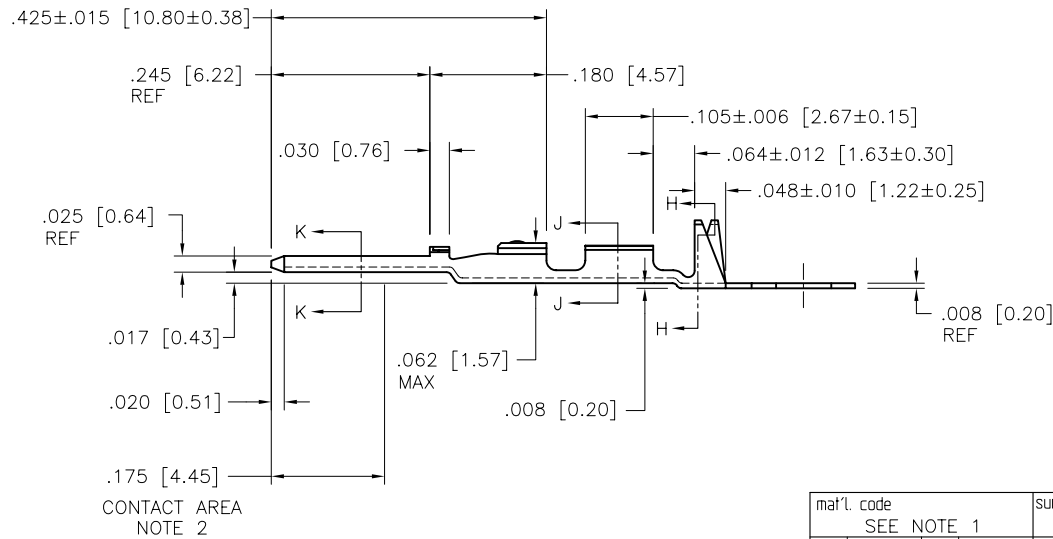
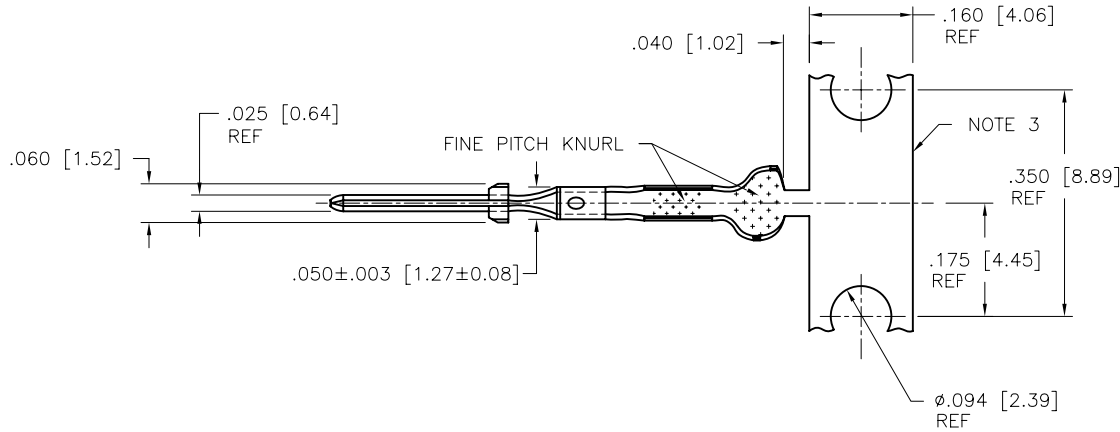


1 | 2

3 |

4

PRODUCT NUMBER
SEE SHEET 2



mat'l. code SEE NOTE 1				surface <input checked="" type="checkbox"/> tolerance		projection	product family PV TERMINAL	
ltr	ecn no	dr	date	tolerances unless otherwise specified			title	
M	V41701	LSS	1994-12-22	angles	XX +01/XX+3		INCH/MM	C.T.W. MALE PIN
N	V04-0056	VS	2004-02-17	linear	XXX +.005/XX+.13	scale 4:1		sheet 1 of 3
P	V05-0254	HTB	2005-03-18	0° ±2'	XXXX +.0020/XXX+.051			size
R	V06-0583	HTB	2006-06-27	dr	M.CLOUSER	1994-08-22		47791
S	V08-0114	HTB	2008-04-01	engr	T.HANNA	1994-08-22	A4	
				chr	T.HANNA	1994-08-22	type	
				appd	T.HANNA	1994-08-22	CUSTOMER Drawing	
sheet index	revision sheet	S	S	S				
		1	2	3				

form: A4mmXLC

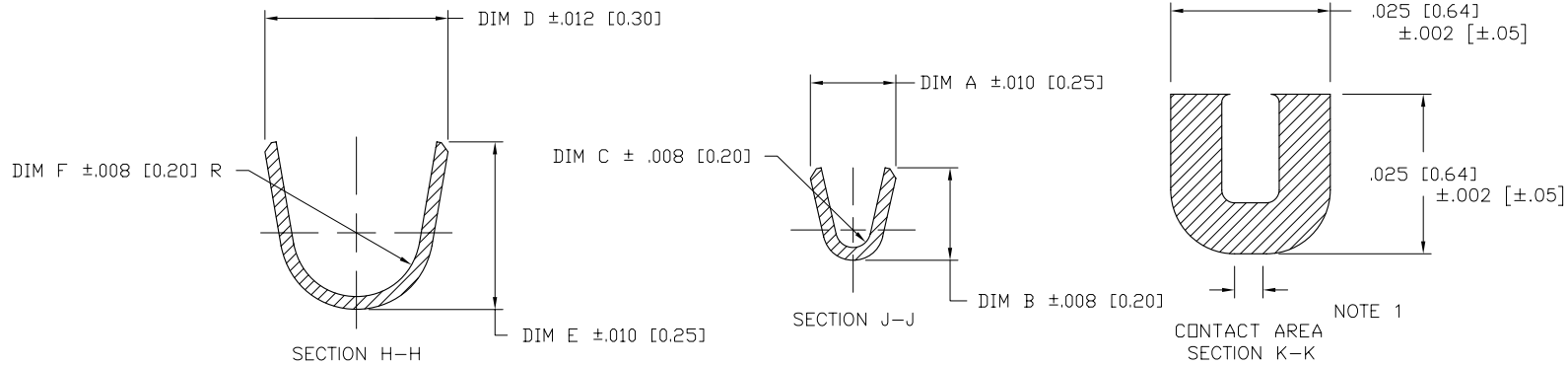
1

2

3

4

PRODUCT NUMBER		AWG	DIM A	DIM B	DIM C	DIM D	DIM E	DIM F
LEFT - RIGHT	RIGHT - LEFT							
47791-003	47791-000	O B S O L E T E						
47791-003LF	47791-000LF	28-32	.054 [1.37]	.058 [1.47]	.011 [0.28]	.115 [2.92]	.105 [2.67]	.040 [1.02]
47792-003	47792-000	O B S O L E T E						
47792-003LF	47792-000LF	22-26	.070 [1.78]	.065 [1.65]	.017 [0.43]	.139 [3.53]	.120 [3.05]	.050 [1.27]
47793-003	47793-000	O B S O L E T E						
47793-003LF	47793-000LF	18-20	.104 [2.64]	.104 [2.64]	.021 [0.53]	.139 [3.53]	.120 [3.05]	.050 [1.27]

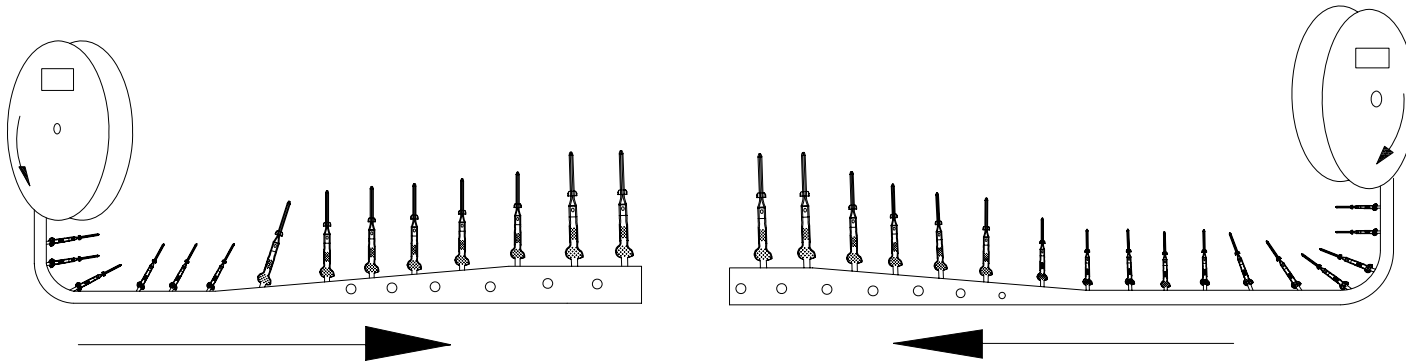


NOTES:

- ① MATERIAL: C2600 CARTRIDGE BRASS, 3/4 HD.
- ② PLATING: ELECTRODEPOSITED GOLD- 50u"/1.27u AVG. THICKNESS IN CONTACT AREA. REMAINDER GOLD FLASH. UNDERPLATE 50u"/1.27u NICKEL
- ③ FOR MANUFACTURING PURPOSES ONLY.
4. TERMINAL MAY BE USED WITH MINI LATCH HOUSING.
5. APPLICABLE SPECIFICATION:
 - A. BUS-12-098 PRODUCT SPECIFICATION.
 - B. TA-211 CRIMP SPECIFICATION.
- ⑥ PRODUCT MEETS EUROPEAN UNION DIRECTIVES AND OTHER COUNTRY REGULATIONS AS DESCRIBED IN GS-22-008.
7. THIS PRODUCT IS NOT INTENDED TO BE EXPOSED TO MANUFACTURING SOLDER PROCESSES.

mat'l. code		surface		tolerance		projection		product family	
SEE NOTE 1		✓						PV TERMINAL	
ltr	ecn no	dr	date	tolerances unless otherwise specified				title	
s				angles	.XX +.01/X+3 .XXX +.005/XX+13	INCH/MM		C.T.W. MALE PIN	
				0° ±2'	.XXX +.0020/XXX+.051	scale 10:1		dwg no	
				dr	M.CLOUSER 1994-08-22			sheet 2 of 3 size	
				engr	T.HANNA 1994-08-22			47791 A4	
				chr	T.HANNA 1994-08-22			type	
				appd	T.HANNA 1994-08-22			CUSTOMER Drawing	
sheet index	revision sheet								

PRODUCT NUMBER
SEE SHEET 2



Unreeling Direction
Left to Right Into
Applicator

Unreeling Direction
Right to Left Into
Applicator

mat'l. code		surface		tolerance		projection		product family	
SEE NOTE 1				✓		⊕		PV TERMINAL	
ltr	ecn no	dr	date	tolerances unless otherwise specified				title	
s				angles	.XX*.01/.X*.3		INCH		C.T.W. MALE PIN
					XXX*.005/XX*.13		scale		1:1
				0° ±2'	XXXX*.0020/XXX*.051		FCI		
		dr	H. SUNDY	2004-02-17			dwg no		sheet 3 of 3 size
		engr	H. SUNDY	2004-02-17			47791		A4
		chr	H. SUNDY	2004-02-17			type		CUSTOMER Drawing
		appd	H. SUNDY	2004-02-17					
sheet index	revision sheet								